

## Mitsubishi Electric Domestic, Mr.Slim and City Multi to BACnet IP/MSTP Interface

The Mitsubishi Electric-BACnet gateway allows fully bi-directional communication between Mitsubishi Electric Domestic, Mr.Slim and City Multi Air Conditioner units and BACnet IP or MS/TP networks.

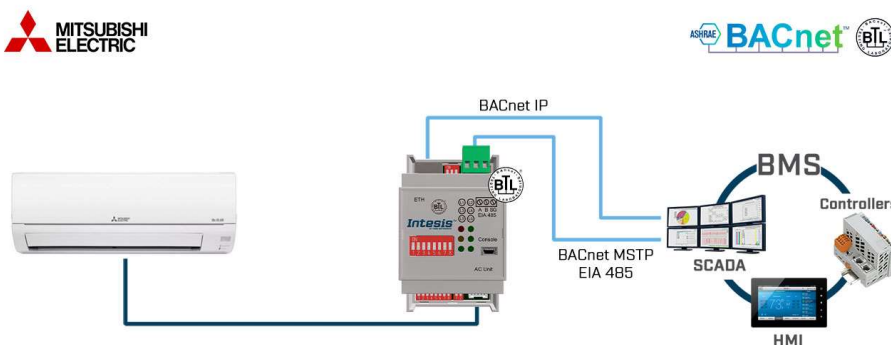


### FEATURES

- BTL mark ensures full interoperability with BACnet devices.
- Support BACnet IP and BACnet MS/TP.
- Configuration from onboard DIP-switches.
- IP settings available in a web interface.
- Quick and easy installation (plug and set the DP-SW).
- External power not required.
- Simultaneous control of the AC unit by the IR remote controller and by BACnet IP or MS/TP.
- Reduced dimensions 93 x 53 x 58 mm.
- Mountable on DIN rail, wall, or even inside the indoor unit in some models of AC.
- Abstraction of Air Conditioning unit properties and functionalities as fixed BACnet Objects.
- Occupancy function allows energy savings. Costs related to HVAC systems in a building are one of the highest and this type of functions allow to reduce them.
- Total control and monitoring of the AC unit from BACnet, including AC unit's internal variables, running hours counter (for filter maintenance control) and error indication.

### Use Case

Integration of Mitsubishi Electric Domestic, Mr. Slim & City Multi lines into a BACnet IP&MSTP installation.



\*BACnet IP or BACnet MSTP communication selectable from switch configuration.

### Description

#### DIRECT CONNECTION TO INDOOR UNITS

The gateway is wired directly to an indoor unit. This allows not only the control of the main AC functions such as operating mode, fan speed, temperature setpoint...but the monitoring of errors, alarms and some internal variables.

#### FAST AND EASY TO SET UP BY DIP-SW

The product can be installed and set up in a really short time. It's only a matter of wiring the gateway to the AC unit and configure the DIP-SW accordingly. No configuration software and no power supply are required.

The product offers a web interface to easily monitor and control the indoor unit connected to the gateway. Additionally, the IP network settings can be established from this web interface.

### Technical Documentation

User Manual	General information about this product	Download
Installation Manual	Learn how to install the device in your project	Download
EDE	Download EDE file	Download
HVAC Compatibility tool	Find the appropriate solution for your HVAC integration	Open
HVAC Compatibility	Check your HVAC compatibility	Download
BTL Certification	Check the product certification	Download
EC Declaration of Conformity	Check the product certification	Download

### Commercial Documentation

Marketing Datasheet	Discover all the integration solutions for Mitsubishi Electric	Download
Intesis Brochure	Know more about the Intesis current available products	Download

### HVAC Compatibility

Ensure the compatibility of this gateway with your AC model by visiting <https://compatibility.intesis.com/>

#### Compatible AC models

MFZ-KA | MFZ-KJ | MLZ-KA | MLZ-KP-NA | MSY-A | MSY-GL | MSZ-A | MSZ-AP - VG-E1 | MSZ-AP - VG-EN1 | MSZ-AP - VGK-E1 | MSZ-AP - VGK-EN1 | MSZ-CGE | MSZ-DM | MSZ-EF | MSZ-FA | MSZ-FD | MSZ-FH | MSZ-GA | MSZ-GB | MSZ-GC | MSZ-GE | MSZ-GF | MSZ-GL | MSZ-HR | MSZ-HA | MSZ-HC | MSZ-HJ | MSZ-LN | MSZ-SF | MSZ-WN | PCA-M | PCA-RP | PCA-RP - HA | PCA-RP - HAQ | PEAD-A - AA5 | PEAD-RP | PEAD-SP | PEAD-SM - JA | PEAD-SM - JAL | PEAD-M - JA | PEAD-M - JAL | PEY-P - JA | PEAM125GAA | PLA-RP - | PLA-ZM - | PLA-ZRP - | PLA-SM - | PLA-M-EA-A | PLY-P-BA | PKA-M - | PKA-RP - | PSA-RP - | SEZ-KA - | SEZ-KC - | SEZ-KD - | SEZ-M - | SLZ-KA - | SLZ-KF - | SLZ-M - | PEA-RP - | PEH-RP - | PCFY-P - VKM-ER1 (since end 2013) | PEFY-P - NMAU-E3 | PEFY-P - NMHSU-E (since end 2013) | PEFY-P - VMA-E | PEFY-P - VMA-E2 | PEFY-P - VMA-ER3 (since end 2013) | PEFY-P - VMAL-E | PEFY-P - VMAL-E2 | PEFY-P - VMH(S)-E (since end 2013) | PEFY-P - VMR-E (since end 2013) | PEFY-P - VMS1-E (since end 2013) | PFFY-P - VKM-E2 (since end 2013) | PFFY-P - VLRMM-E (since end 2013) | PKFY-P - VBM-ER3 | PKFY-P - VHM-ER2 (since end 2013) | PKFY-P - VKM-ER1 (since end 2013) | PLFY-P - VBM-E (since end 2013) | PLFY-P - VBM-ER3 (since end 2013) | PLFY-P - VEM-E | PLFY-P - VCM-ER2 (since end 2013) | PLFY-P - VFM-E | PLFY-P - VFM-E1 | PLFY-P - VLDM-E (since end 2013) | PMFY-P - VBM-E#2 | PMFY-P - VBM-ER3 | PMFY-P - VBM-ER4 (since end 2013) | PLFY-WP - VFM-E | PLFY-WP - VFM-E1 | PLFY-WP - VBM-E | PEFY-WP - VMA-E | PEFY-WP - VMS1-E | PFFY-WP - VLRMM-E | MSY-D | MSY-GA | MSY-GE | MSZ-D | MSZ-FE | MS-A | PCA-A | PEA-A | PEAD-A | PKA-A | PLA-A | PVFY-P - E00 (since end 2012) | PCFY-P - NKMU-ER1.TH (since end 2012) | PEFY-P - NMSU-ER2.TH (since end 2012) | PEFY-P - NMAU-E | PEFY-P - NMAU-E2 (since end 2012) | PEFY-P - NMAU-E3 (since end of 2013) | PEFY-P - NMHSU-E (since end 2012) | PEFY-P - NMHU-E (since end 2012) | PEFY-P - NMHU-E2 (since end of 2013) | PFFY-P - NEMU-E (since end 2012) | PFFY-P - NRMU-E (since end 2012) | PKFY-P - NBMU-E2 (since end 2012) | PKFY-P - NHMU-E2 (since end 2012) | PKFY-P - NKMU-E2.TH (since end 2012) | PLFY-P - NBMU-ER2 (since end 2012) | PLFY-P - NCMU-ER4.TH (since end 2012) | PLFY-P - NFMU-E | PMFY-P - NBMU-ER5 (since end 2012) | PVFY-P - NAMU-E | MSXY-FD | SL - AKLR | PL - BAK | PK - FAKLD | PC - GAKD | PS - GAKD | SE - AKR | SE - AKLR | PE - EAK | PE - EAKT | PEH - EAK | PEH - EAKH | PED - AAK | PLFY-P - EMG6 | PK - GAKLD | PE - GAK | PE - GAKT | PKH - GAKL | PKH - FAK | PCH - GAK | PSH - GAK | PE(H) - EAK | MSC-GA - VB | PCFY-P100VKM-E | PCFY-P125VKM-E | PCFY-P40VKM-E | PCFY-P63VKM-E | PEFY-M100 VMA2-A | PEFY-M100 VMA-A | PEFY-M125 VMA2-A | PEFY-M125 VMA-A | PEFY-M140 VMA-A | PEFY-M20 VMA2-A | PEFY-M20 VMA-A | PEFY-M25 VMA2-A | PEFY-M25 VMA-A | PEFY-M32 VMA2-A | PEFY-M32 VMA-A | PEFY-M40 VMA2-A | PEFY-M40 VMA-A | PEFY-M50 VMA2-A | PEFY-M50 VMA-A | PEFY-M63 VMA2-A | PEFY-M63 VMA-A | PEFY-M71 VMA2-A | PEFY-M71 VMA-A | PEFY-M80 VMA2-A | PEFY-M80 VMA-A | PEFY-P100VMA3-E | PEFY-P100VMHS2-E P | PEFY-P100VMHS-E | PEFY-P125VMA3-E | PEFY-P125VMHS-E | PEFY-P125VMHS-E-F | PEFY-P140VMHS-E | PEFY-P15VMS1-E | PEFY-P200VMHS-E | PEFY-P200VMHS-E-F | PEFY-P20VMA3-E | PEFY-P20VMR-E-L | PEFY-P20VMS1-E | PEFY-P250VMHS-E | PEFY-P250VMHS-E-F | PEFY-P25VMA3-E | PEFY-P25VMR-E-L | PEFY-P25VMS1-E | PEFY-P32VMA3-E | PEFY-P32VMR-E-L

| PEFY-P32VMS1-E | PEFY-P40VMA3-E | PEFY-P40VMHS-E | PEFY-P40VMS1-E | PEFY-P50VMA3-E | PEFY-P50VMHS2-E | PEFY-P50VMHS-E | PEFY-P50VMS1-E | PEFY-P63VMA3-E | PEFY-P63VMHS2-E | PEFY-P63VMHS-E | PEFY-P63VMS1-E | PEFY-P71VMA3-E | PEFY-P71VMHS2-E | PEFY-P71VMHS-E | PEFY-P80VMA3-E | PEFY-P80VMHS2-E | PEFY-P80VMHS-E | PFFY-P20VCM-E | PFFY-P20VKM-E | PFFY-P20VLEM-E | PFFY-P20VLRM-E | PFFY-P25VCM-E | PFFY-P25VKM-E | PFFY-P25VLEM-E | PFFY-P25VLRM-E | PFFY-P32VCM-E | PFFY-P32VKM-E | PFFY-P32VLEM-E | PFFY-P32VLRM-E | PFFY-P40VCM-E | PFFY-P40VKM-E | PFFY-P40VLEM-E | PFFY-P40VLRM-E | PFFY-P50VCM-E | PFFY-P50VLEM-E | PFFY-P50VLRM-E | PFFY-P63VCM-E | PFFY-P63VLEM-E | PFFY-P63VLRM-E | PKFY-P100VKM-E | PKFY-P10VLM-E | PKFY-P15VLM-E | PKFY-P20VLM-E | PKFY-P25VLM-E | PKFY-P32VLM-E | PKFY-P40VLM-E | PKFY-P50VLM-E | PKFY-P63VKM-E | PKFY-WL10VLM | PKFY-WL15VLM | PKFY-WL20VLM | PKFY-WL25VLM | PKFY-WL32VLM | PLFY-EP50VEM-E | PLFY-EP63VEM-E | PLFY-EP80VEM-E | PLFY-M100VEM-E | PLFY-M125VEM-E | PLFY-M20VEM-E | PLFY-M25VEM-E | PLFY-M32VEM-E | PLFY-M40VEM-E | PLFY-M50VEM-E | PLFY-M63VEM-E | PLFY-M80VEM-E | PLFY-P100VLMD-E | PLFY-P125VLMD-E | PLFY-P15VFM-E | PLFY-P20VFM-E | PLFY-P20VLMD-E | PLFY-P25VFM-E | PLFY-P25VLMD-E | PLFY-P32VFM-E | PLFY-P32VLMD-E | PLFY-P40VFM-E | PLFY-P40VLMD-E | PLFY-P50VFM-E | PLFY-P50VLMD-E | PLFY-P63VLMD-E | PLFY-P80VLMD-E | PMFY-P20VBM-E | PMFY-P25VBM-E | PMFY-P35VBM-E | PMFY-P40VBM-E | MFZ-KJ25VE | MFZ-KJ35VE | MFZ-KJ50VE | MFZ-KT25VG | MFZ-KT35VG | MFZ-KT50VG | MFZ-KT60VG | MLZ-KP25VF | MLZ-KP35VF | MLZ-KP50VF | MSY-TP35VF | MSZ-AP15VG | MSZ-AP20VG | MSZ-AP25VG | MSZ-AP25VGK | MSZ-AP35VGK | MSZ-AP42VG | MSZ-AP42VGK | MSZ-AP50VGK | MSZ-AP60VGK | MSZ-AP71VGK | MSZ-DM35VA | MSZ-EF18VGK W/B/S | MSZ-EF22VGK W/B/S | MSZ-EF25VGK W/B/S | MSZ-EF35VGK W/B/S | MSZ-EF42VGK W/B/S | MSZ-EF50VGK W/B/S | MSZ-FH25VE | MSZ-FH35VE | MSZ-FH50VE | MSZ-HR25VF | MSZ-HR35VF | MSZ-HR42VF | MSZ-HR50VF | MSZ-LN18VG W | MSZ-LN18VG2 V/B/R | MSZ-LN18VG2 W | MSZ-LN25VG2 V/B/R | MSZ-LN25VG2 W | MSZ-LN35VG2 V/B/R | MSZ-LN35VG2 W | MSZ-LN50VG2 V/B/R | MSZ-LN50VG2 W | MSZ-LN60VG2 V/B/R | MSZ-LN60VG2 W | MSZ-SF15VA | MSZ-SF20VA | MSZ-SF25VE | MSZ-SF35VE | MSZ-SF42VE | MSZ-SF50VE | MUSY-TP35VF | MUSY-TP50VF | MXZ-4E72VA-E2 | SEZ-M25DA | SEZ-M35DA | SEZ-M50DA | SEZ-M60DA | SEZ-M71DA | SLZ-M15FA | SLZ-M25FA | SLZ-M35FA | SLZ-M50FA | SLZ-M60FA | PCA-M100KA | PCA-M125KA | PCA-M140KA | PCA-M35KA | PCA-M50KA | PCA-M71KA | PCA-M80KA | PEAD-M125JA | PEAD-M140JA | PEAD-M35JA | PEAD-M50JA | PEAD-M71JA | PEAD-M80JA | PEA-RP200VVKA | PEA-RP250VVKA | PEA-RP250WKA | PKA-M100KAL | PKA-M35HAL | PKA-M50HAL | PKA-M71KAL | PKA-M80KAL | PLA-M100EA | PLA-M125EA | PLA-M140EA | PLA-M35EA | PLA-M50EA | PLA-M60EA | PLA-M71EA | PLA-ZM100EA | PLA-ZM125EA | PLA-ZM140EA | PLA-ZM35EA | PLA-ZM50EA | PLA-ZM60EA | PLA-ZM71EA | PSA-M100KA | PSA-M125KA | PSA-M140KA | PSA-RP100KA | PSA-RP125KA | PSA-RP140KA | PSA-RP71KA

\* The asterisks stand for any character in the asterisk' position.

**ORDER CODE:**

INBACMIT001I000	Mitsubishi Electric Domestic, Mr.Slim and City Multi to BACnet IP/MSTP Interface - 1 unit
-----------------	---

**INCLUDED COMPONENTS:**

- Intesis Gateway.
- Installation Manual.
- AC Connection cable.

Warranty: 36 months.